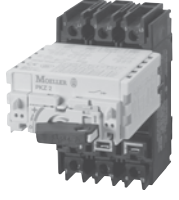



Basic Components

Module	Description	Adjustable thermal range set to motor FLC ① (yellow dial) [A]	Adjustable trip setting current of magnetic trips ① (red dial) [A]	"Typical" Maximum Horsepower				Contacts		For use with...	Catalog Number	Price
				Typical Three Phase [HP]				NO	NC			
				200V	240V	480V	600V					
<b>Base Module</b>												
	Maximum continuous motor load current 42A			As per the trip module inserted (see below for selection)				0	0	all other PKZ2 devices	PKZ2	

<b>Standard Trip Module</b>														
	Standard trip module for PKZ2 Adjustable thermal and magnetic trips Includes a manual test feature and tamper-preventive settings cover	0.4 – 0.6	5 – 8	<i>see note below</i>						0	0	PKZ2 PKZ2/S-SP	ZM-0,6-PKZ2	
		0.6 – 1	8 – 14					½	½	0	0		ZM-1-PKZ2	
		1 – 1.6	14 – 22					¾	1	0	0		ZM-1,6-PKZ2	
		1.6 – 2.4	20 – 35	½	½	1	1½	0	0	ZM-2,4-PKZ2				
		2.4 – 4	35 – 55	1	1	2	3	0	0	ZM-4-PKZ2				
		4 – 6	50 – 80	1½	1½	3	5	0	0	ZM-6-PKZ2				
		6 – 10	80 – 140	2	3	5	7½	0	0	ZM-10-PKZ2				
		10 – 16	130 – 220	3	5	10	10	0	0	ZM-16-PKZ2				
		16 – 25	200 – 350	7½	7½	20	25	0	0	ZM-25-PKZ2				
		24 – 32	275 – 425	10	10	20	30 ②	0	0	ZM-32-PKZ2				
32 – 42	350 – 500	10	15	30	30 ②	0	0	ZM-40-PKZ2						

**Horsepower ratings shown in the table are for reference only.**  
 The final selection of the manual starter depends on the actual motor full load current and service factor on the motor nameplate.  
 Overload should be set at motor FLA full load current and is calibrated to 1.15 S.F.  
 Specified values to NEC table 430-150.

Ordering Instructions

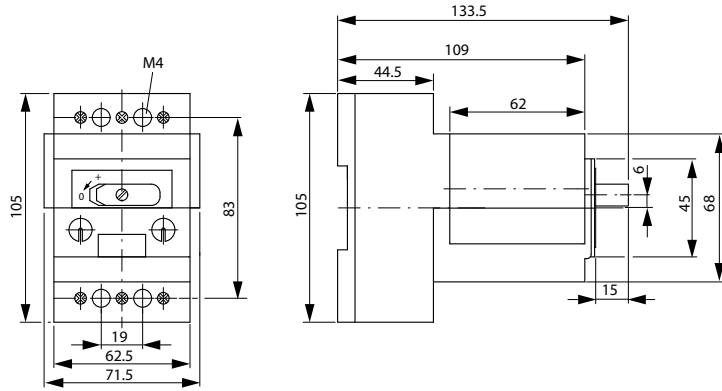
- 1 Determine the motor FLA and Service Factor.
- 2 Locate the desired trip module.
- 3 Order trip module and base module separately.
- 4 See pages C53 – C59 for auxiliaries and accessories.

- ① All types have adjustable dial for setting motor full load current. Trip current is 125% of set value. For motors with a service factor (SF) of 1.0, set dial to 90% of motor full load current.
- ② Rating applies to manual motor controller only. Does not apply to combination motor starter.

**Manual Motor Controller with Trip Module**

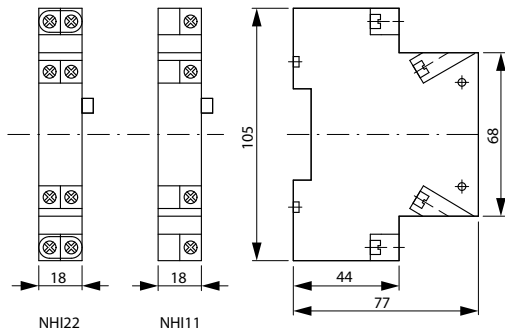
PKZ2/ZM-...

Dimensions are in millimeters.  
Not intended for manufacturing purposes.



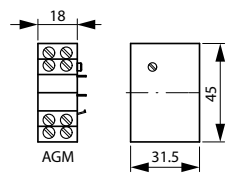
**Standard Auxiliary Contacts**

NHI...-PKZ2



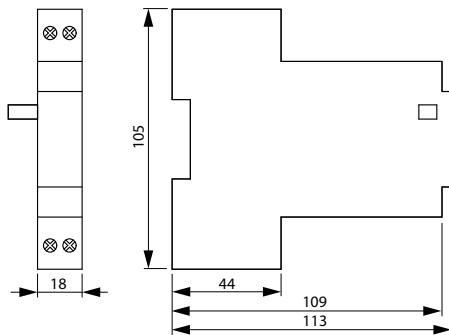
**Trip-indicating Auxiliary Contacts**

AGM2-11-PKZ2



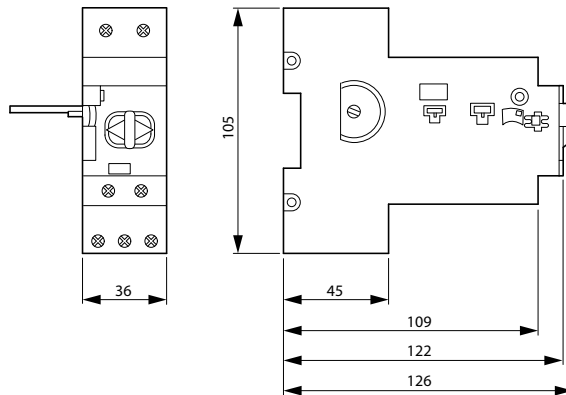
**Shunt / Undervoltage Release**

A-PKZ2... / U-PKZ2...



**Remote Operator**

RE-PKZ2... / RS-PKZ2...



Manual Motor Controllers