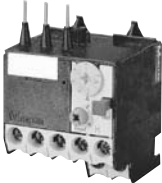


- > Designed for Moeller's DIL EM miniature contactors
- > Class 10 overload; trip response from 2 to 10 seconds
- > Ambient compensated, bimetallic overload tripping mechanism
- > Phase failure sensitive to IEC/EN 60947
- > Manual / Automatic reset button
- > Built-in NO and NC auxiliary contacts

B

Direct Mount ZE Thermal Overload Relays for DILEM Miniature Contactors ¹

Motor Protection

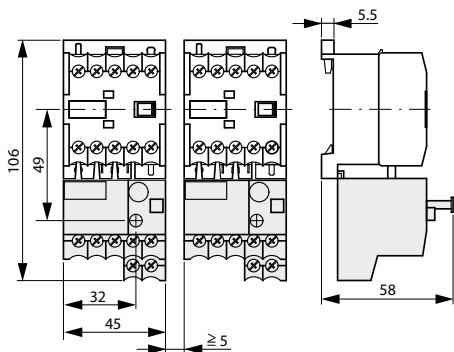
Overload Relay	Adjustable Setting Range [A]	Auxiliary Contacts		For use with . . .	Short-Circuit Protection (Max 600V AC)		Catalog Number	Price
		NO	NC		Fuses [A]	Circuit Breaker [A]		
	0.1 – 0.16	1	1	DILEM DIULEM	1	15	ZE-0,16	144
	0.16 – 0.24	1	1		1	15	ZE-0,24	144
	0.24 – 0.4	1	1		1	15	ZE-0,4	144
	0.4 – 0.6	1	1		1	15	ZE-0,6	144
	0.6 – 1	1	1		3	15	ZE-1,0	144
	1 – 1.6	1	1		6	15	ZE-1,6	144
	1.6 – 2.4	1	1		6	15	ZE-2,4	144
	2.4 – 4	1	1		15	15	ZE-4	144
	4 – 6	1	1		20	15	ZE-6	144
	6 – 9	1	1		35	15	ZE-9	144
	9 – 12	1	1		45	–	ZE-12 ²	144

¹ When using DILEM and ZE, a distance of at least 5mm should be maintained between overload relays mounted side-by-side.

² Max. 480V AC.

Overload Relays

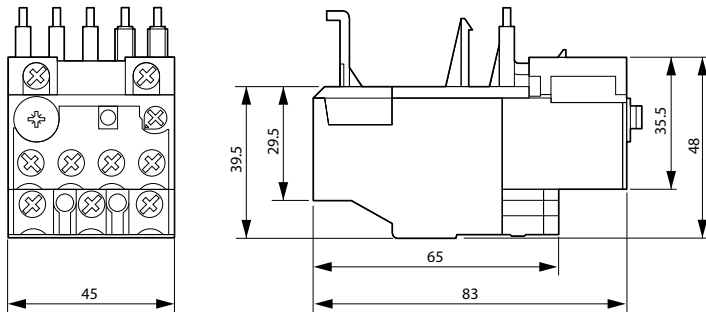
ZE-...



Dimensions are in millimeters.
Not intended for manufacturing purposes.

Overload Relays

ZB12-...; ZB32-...



Overload Relays

ZB65-...

