



- > Class 10 overload; trip response from 2 to 10 seconds
- > Ambient compensated, bimetallic overload tripping mechanism
- > Phase failure sensitive to IEC/EN 60947
- > Manual / Automatic reset button
- > Built-in NO and NC auxiliary contacts

### Direct Mount ZB Thermal Overload Relays for DILM7 – DILM32 Contactors <sup>①</sup>

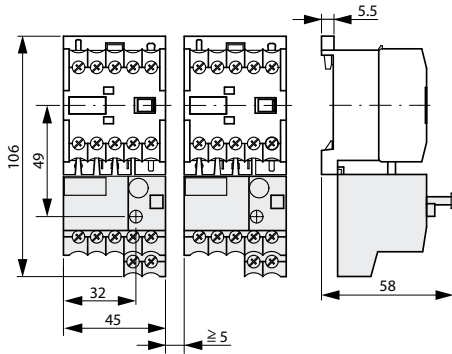
Overload Relay	Adjustable Setting Range [A]	Auxiliary Contacts		For use with...	Short-Circuit Protection (Max 600V AC)		Catalog Number	Price
		NO	NC		Fuses [A]	Circuit Breaker [A]		
	0.1 – 0.16	1	1	DILM7 – DILM12 DIULM7 – DIULM12	1	25	ZB12-0,16	144
	0.16 – 0.24	1	1		1	25	ZB12-0,24	144
	0.24 – 0.4	1	1		1	25	ZB12-0,4	144
	0.4 – 0.6	1	1		1	25	ZB12-0,6	144
	0.6 – 1	1	1		3	25	ZB12-1	144
	1 – 1.6	1	1		6	25	ZB12-1,6	144
	1.6 – 2.4	1	1		6	25	ZB12-2,4	144
	2.4 – 4	1	1		15	25	ZB12-4	144
	4 – 6	1	1		20	25	ZB12-6	144
	6 – 10	1	1		40	25	ZB12-10	144
	9 – 12	1	1		60	30	ZB12-12	144
	12 – 16	1	1		60	30	ZB12-16	144
	0.1 – 0.16	1	1	DILM17 – DILM32 DIULM17 – DIULM32	1	25	ZB32-0,16	152
	0.16 – 0.24	1	1		1	25	ZB32-0,24	152
	0.24 – 0.4	1	1		1	25	ZB32-0,4	152
	0.4 – 0.6	1	1		1	25	ZB32-0,6	152
	0.6 – 1	1	1		3	25	ZB32-1	152
	1 – 1.6	1	1		6	25	ZB32-1,6	152
	1.6 – 2.4	1	1		6	25	ZB32-2,4	152
	2.4 – 4	1	1		15	25	ZB32-4	152
	4 – 6	1	1		20	25	ZB32-6	152
	6 – 10	1	1		40	25	ZB32-10	152
	10 – 16	1	1		60	30	ZB32-16	152
	16 – 24	1	1		90	30	ZB32-24	152
	24 – 32	1	1		125	40	ZB32-32	192

<sup>①</sup> ZB32 overload relays can be separately mounted using separate mounting base (catalog number: ZB32-XEZ).

**Overload Relays**

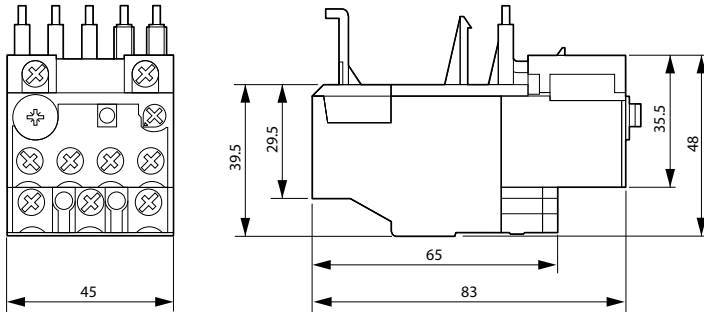
ZE-...

Dimensions are in millimeters.  
Not intended for manufacturing purposes.



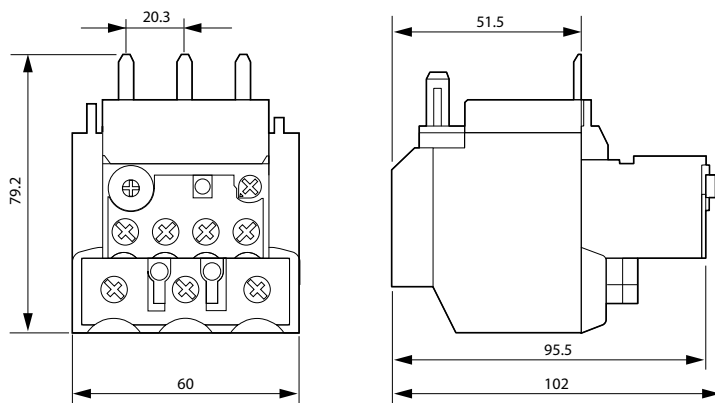
**Overload Relays**

ZB12-...; ZB32-...



**Overload Relays**

ZB65-...





- > Class 10 overload; trip response from 2 to 10 seconds
- > Ambient compensated, bimetallic overload tripping mechanism
- > Phase failure sensitive to IEC/EN 60947
- > Manual / Automatic reset button
- > Built-in NO and NC auxiliary contacts

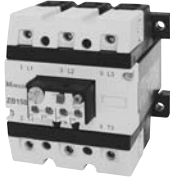
### Direct Mount ZB Thermal Overload Relays for DILM40 – DILM150 Contactors ①

**B**

Motor Protection

Overload Relay	Adjustable Setting Range [A]	Auxiliary Contacts		For use with...	Short-Circuit Protection (Max 600V AC)		Catalog Number	Price
		NO	NC		Fuses [A]	Circuit Breaker [A]		
	6 – 10	1	1	DILM40 – DILM65 DIULM40 – DIULM65	40	40	ZB65-10	200
	10 – 16	1	1		60	60	ZB65-16	200
	16 – 24	1	1		90	90	ZB65-24	236
	24 – 40	1	1		125	125	ZB65-40	236
	40 – 57	1	1		200	150	ZB65-57	260
	50 – 65	1	1		200	150	ZB65-65	260
	25 – 35	1	1	DILM80 – DILM150 DIULM80 – DIULM150	125	125	ZB150-35	380
	35 – 50	1	1		225	200	ZB150-50	380
	50 – 70	1	1		250	250	ZB150-70	380
	70 – 100	1	1		600 Class J	400	ZB150-100	400
	95 – 125	1	1		500 Class J	500	ZB150-125	560
	120 – 150	1	1		400 Class J	600	ZB150-150	560

### Separate Mount ZB Thermal Overload Relays for DILM80 – DILM150 Contactors

Overload Relay	Adjustable Setting Range [A]	Auxiliary Contacts		For use with...	Short-Circuit Protection (Max 600V AC)		Catalog Number	Price
		NO	NC		Fuses [A]	Circuit Breaker [A]		
	25 – 35	1	1	DILM80 – DILM150 DIULM80 – DIULM150	400 Class J	600	ZB150-35/KK	400
	35 – 50	1	1		400 Class J	600	ZB150-50/KK	400
	50 – 70	1	1		400 Class J	600	ZB150-70/KK	400
	70 – 100	1	1		400 Class J	600	ZB150-100/KK	424
	95 – 125	1	1		400 Class J	600	ZB150-125/KK	600
	120 – 150	1	1		400 Class J	600	ZB150-150/KK	600

① ZB65 overload relays can be separately mounted using separate mounting base (catalog number: ZB65-XEZ).