

xCommand T, P

Moeller HPL0211-2007/2008

http://catalog.moeller.net

Contact sequence Front plate no.	Main conducting paths	Auxiliary contacts	Max. motor rating	Rated uninterrupted current	Design	Protection type	Part no. Article no.	Price see price list	Std. pack
FS 908	No. of poles   N/O	N/O   L N/C	AC-23A 400/415 V 50-60 Hz	$I_u$ A					

## Main switches, maintenance switches

According to IEC/EN 60204-1, VDE 0113 Part 1; with red rotary handle and yellow locking collar, lockable in 0 position

As Emergency-Stop device

	1	0	0	6.5	20	Surface mounting	IP65	<b>T0-1-8200/I1/SVB</b> 207145	1 off
	1	0	0	6.5	20	Flush mounting	Front IP65	<b>T0-1-8200/EA/SVB</b> 053110	
	1	0	0	6.5	20	Rear mounting	Front IP65	<b>T0-1-8200/V/SVB</b> 057856	
	1	0	0	13	32	Surface mounting	IP65 <small>totally insulated</small>	<b>T3-1-8200/I2/SVB</b> 207200	
	1	0	0	13	32	Flush mounting	Front IP65	<b>T3-1-8200/EA/SVB</b> 066576	
	1	0	0	22	63	Surface mounting	IP65 <small>totally insulated</small>	<b>T5B-1-8200/I4/SVB</b> 207240	
	1	0	0	22	63	Flush mounting	Front IP65	<b>T5B-1-8200/EA/SVB</b> 094279	
	2	0	0	6.5	20	Surface mounting	IP65	<b>T0-1-102/I1/SVB</b> 207143	
	2	0	0	6.5	20	Flush mounting	Front IP65	<b>T0-1-102/EA/SVB</b> 091078	
	2	0	0	6.5	20	Rear mounting	Front IP65	<b>T0-1-102/V/SVB</b> 095824	
	2	0	0	13	32	Surface mounting	IP65 <small>totally insulated</small>	<b>T3-1-102/I2/SVB</b> 207198	
	2	0	0	13	32	Flush mounting	Front IP65	<b>T3-1-102/EA/SVB</b> 014374	
	2	0	0	13	32	Rear mounting	Front IP65	<b>T3-1-102/V/SVB</b> 019120	
	2	0	0	22	63	Surface mounting	IP65 <small>totally insulated</small>	<b>T5B-1-102/I4/SVB</b> 207238	
	2	0	0	22	63	Flush mounting	Front IP65	<b>T5B-1-102/EA/SVB</b> 094469	
	2	0	0	30	100	Surface mounting	IP65 <small>totally insulated</small>	<b>T5-1-102/I5/SVB</b> 207273	
	3	0	0	6.5	20	Surface mounting	IP65	<b>T0-2-1/I1/SVB</b> 207147	
	3	0	0	6.5	20	Flush mounting	Front IP65	<b>T0-2-1/EA/SVB</b> 038873	
	3	0	0	6.5	20	Rear mounting	Front IP65	<b>T0-2-1/V/SVB</b> 043619	
	3	0	0	13	25	Surface mounting	IP65 <small>totally insulated</small>	<b>P1-25/I2H/SVB<sup>1)</sup></b> 226900	
	3	0	0	13	25	Surface mounting	IP65	<b>P1-25/I2/SVB</b> 207293	
	3	0	0	13	25	Flush mounting	Front IP65	<b>P1-25/EA/SVB</b> 041097	
	3	0	0	13	25	Rear mounting	Front IP65	<b>P1-25/V/SVB</b> 055335	
	3	0	0	15	32	Surface mounting	IP65 <small>totally insulated</small>	<b>P1-32/I2H/SVB<sup>1)</sup></b> 227868	
	3	0	0	15	32	Surface mounting	IP65	<b>P1-32/I2/SVB</b> 207314	
	3	0	0	15	32	Flush mounting	Front IP65	<b>P1-32/EA/SVB</b> 081438	
	3	0	0	15	32	Rear mounting	Front IP65	<b>P1-32/V/SVB</b> 095676	
	3	0	0	37	63	Surface mounting	IP65 <small>totally insulated</small>	<b>P3-63/I4/SVB</b> 207343	
	3	0	0	37	63	Flush mounting	Front IP65	<b>P3-63/EA/SVB</b> 031607	
	3	0	0	37	63	Rear mounting	Front IP65	<b>P3-63/V/SVB</b> 048218	

## Notes

<sup>1)</sup> Enclosures with hard metric knock-outs

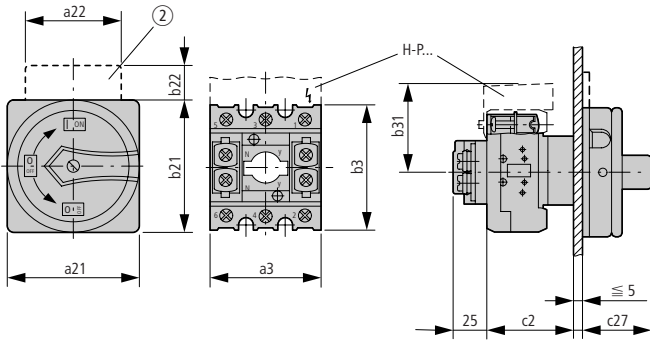
**xCommand P1, P3**

Moeller HPL0211-2007/2008

<http://catalog.moeller.net>

**Flush mounting main switches**

**P.../EA/SVB**

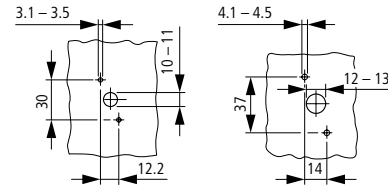


**Drilling dimensions**

Door

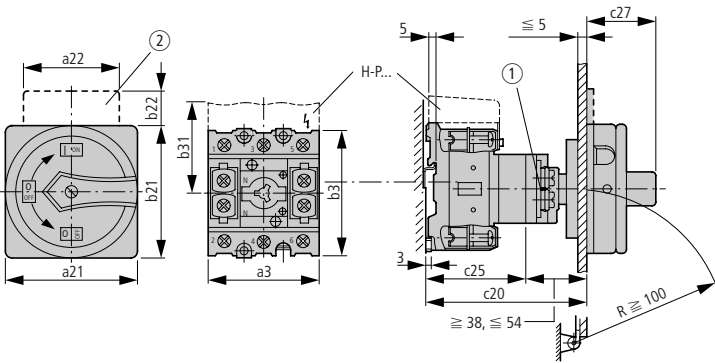
P1...

P3...



**Rear mounting main switches**

**P.../V/SVB**

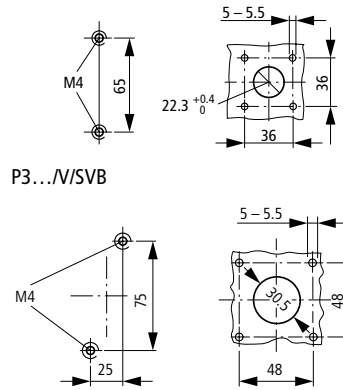


**Drilling dimensions**

Bottom

P1.../V/SVB

Door



- ① Interlock extension possible with ZVV...+ZAV... ≅ 4 × 25 = 100 mm
- ② Not included as standard

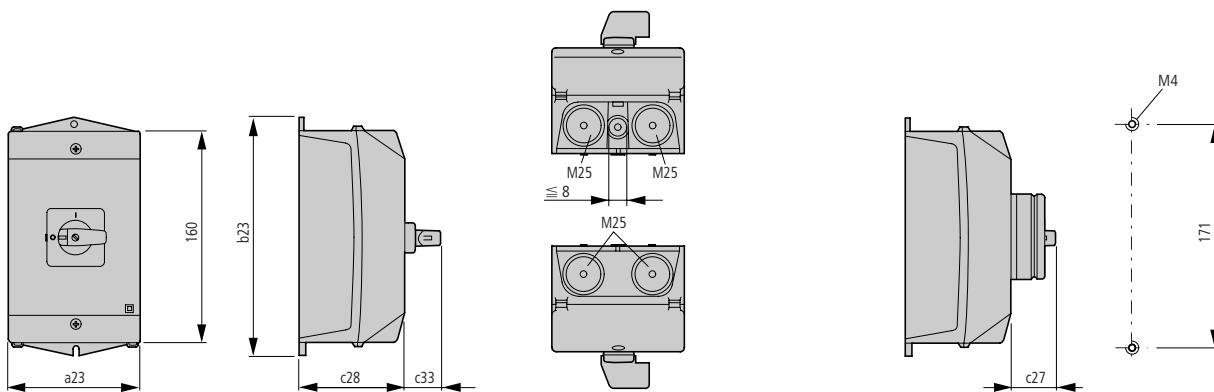
**Layout**

**Surface mounting main switches/safety switches**

P1.../I2

**P1.../I2/SVB**  
P1.../I2/SI

**Drilling dimensions**



Part no.	a2	a3	a4	a21	a22	a23	a31	a32	a33	b2	b3	b21	b22	b23	b24	b31
P1.../I2	48	49	53.5	65	48	100	15	15	83	48	70	65	17	180	35.5	49

Part no.	c2	c3	c20 ≅/≅	c20 with ≅ 4 ZAV/ZVV	c21	c22	c23	c24	c25	c27	c28	c31	c32	c33
P1...	59	86	96 - 112	212	35	32	65	68	58	35	80	25	25	27